

DIMENSION "D1" =
 (DISC DIAMETER/2) - 2.06 (52,3)

INLET FITTING: 1/8-27 NPT

NOTE: 1. POSSIBLE HAT INTERFERENCE DEPENDING ON APPLICATION

DISC WIDTH	"B" MOUNT OFFSET
1.00 (25,4)	1.08 (27,4)

TOP OF FRICTION MATERIAL
 AND DISC O.D. TO BE FLUSH

2.06 (52,3)
 MOUNT HEIGHT

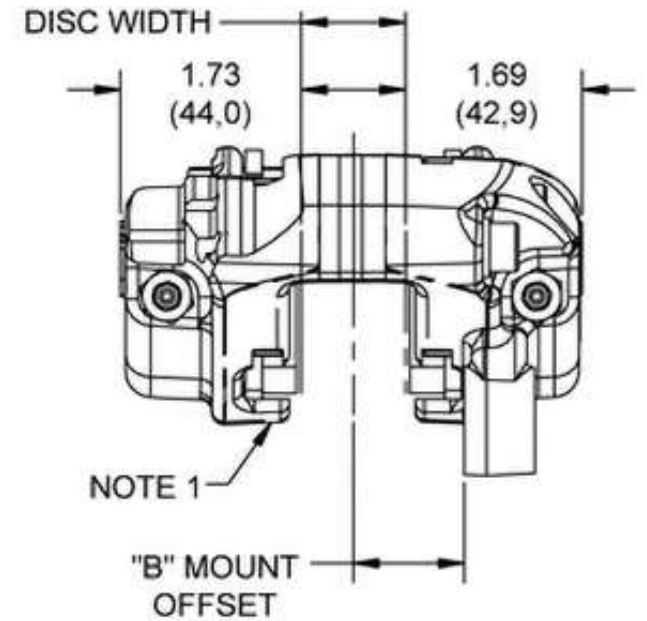
.39 (9,9)
 MOUNT HOLE

5.25 (133,4)
 MOUNT CENTER

"A"
 BOLT CIRCLE RADIUS

"E"
 OUTSIDE RADIUS

DISC/WHEEL CENTERLINE



NOTE 1

"B" MOUNT
 OFFSET

DISC DIAMETER	"A" BOLT CIRCLE RADIUS	"E" OUTSIDE RADIUS
10.00 (254,0)	3.94 (100,1)	5.99 (152,2)
10.50 (266,7)	4.13 (104,9)	6.20 (157,5)
10.75 (273,1)	4.23 (107,4)	6.31 (160,3)
11.00 (279,4)	4.33 (110,0)	6.41 (163,0)
11.44 (290,6)	4.51 (114,6)	6.60 (167,6)
11.75 (298,5)	4.63 (117,6)	6.74 (171,2)
12.19 (309,6)	4.81 (122,2)	6.93 (176,0)